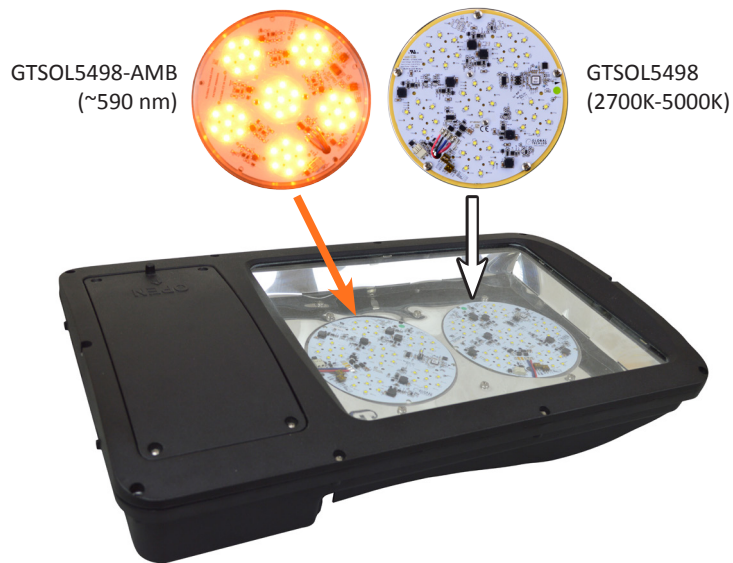


GTL-AR-TURTLESAFE [5000K/Amber LED Roadway Fixture]



Fixture can be switched from White Light to Turtle safe Amber light on schedule with the turtle nesting season with a wireless controller.
(not included)

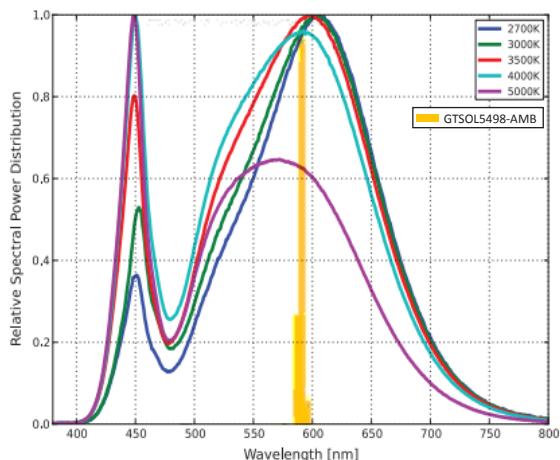


Figure 1b: Typical normalized power vs. wavelength for LXH8-FWxx at 700mA, T_j=85°C.

LED Module Wattage

Product	Output Setting	Rated Watts [W]
GTSOL5498	HI	95
GTSOL5498-AMB	HO	75

Description:

Designed for coastal lighting with two 5498 modules, the first produces 5000k bright white light and the second produces turtle-safe 590nm amber lighting is required during nesting season. Our wireless control system allows for full control of when either module is on. Get the benefit of saving the sea turtles during season and bright white lighting out of season.

Features and Ratings:

- Our Thermal Management System incorporates a sleek and robust heatsink to ensure maximum heat transfer and long LED life. Smart Technology provides Lumen Depreciation Circuitry in order to minimize light loss regardless of geographical location.
- Die Cast Aluminum Alloy, Anti-Corrosion Treated
- 304 Stainless Steel screws
- Epoxy Powder Coated
- PG7/PG9 Waterproof Connectors
- 4mm Tempered Cover Glass
- Specular Reflector
- Efficacy = 93.3 Lm/W
- Solstice LED Engines UL/cULus listed
- IP65 rated optical enclosure per ANSI C136.25-2009
- Temperature rated at -40°C to 55°C Nominal
- Upward Light Output Ratio (ULOR) = 0
- May be used with solar applications without driver.
- Fits poles up to 2.5"

Electrical:

- 120-277 volt and 347-480 volt available
- System power factor is >90% and THD <20%
- Class "A" audible sound rating
- Integral surge protection
- Optional high capability surge protection
- Photoelectric sensors (PE) available for all voltages

Roadway Distribution:

- Solstice Light Engine consisting of Scalable Optical
- Utilizes Phillips High Brightness T LED's

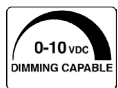
Additional Information:

Operating Temperature Range: -40°C to 55°C Nominal
Photometrics: .ies files available

Optics offered for different distributions. (Dist. = 120° w/o secondary optics)
Surge Protector: - Required for ALL 347V-480V applications in order to qualify for Warranty - Recommended for all outdoor applications

L70 > 150,000Hrs.
Warranty: Driver = 5 years
Solstice Light Engine = 5 years
Fixture = 10 years

Life Sync adjusts module to operate at max performance in any given environment



Fully Compliant with ARRA Buy American Requirements. Made in the USA.

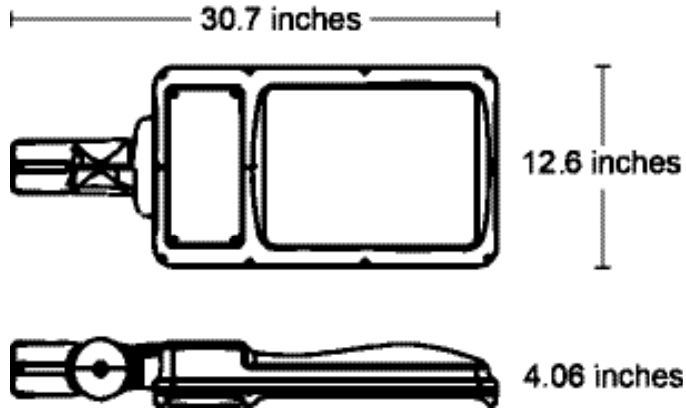


GTL-AR-TURTLESAFE

[5000K/Amber LED Roadway Fixture]

SR16-6R1

Details



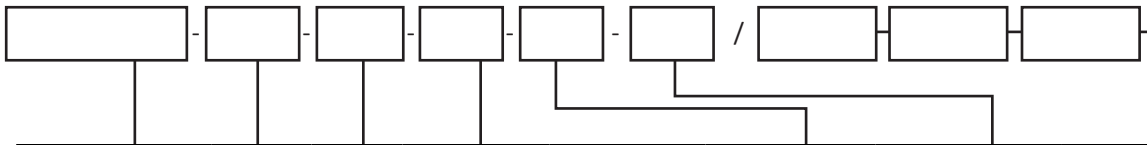
Features



- Life Sync
- Module Temp Protection
- Lumen Depreciation Maintenance
- Wattage Selections (on board)
- On Board Programming
 - 5-6-1 Energy Saving Program
 - 0-10V Dimming
- Lumiled Luxeon LED chips
- Optical Distribution Options
- -40°C to 55°C Nominal Operating Temperature
- 5 Year Warranty

Ordering Code Example:

GTL - AR - TURTLESAFE - 2X5498 - HI - SV - YW - NL / -----



Fixture	Module	Wattage	Voltage	MSRP		CCT	Lens	Accs	MSRP	
GTL-AR-TURTLESAFE	2x5498	HO(135W)	SV (120V-277V)			GR (5000K) [70CRI]	NL = No Lens	GT-LSP-120		
			HV (347V-480V)			BR (5000K) [80CRI]	10D = 10D Lens	GT-LSP-240		
	2x5498	HI (95W)	SV (120V-277V)			YW (4100K) [70CRI]	25D = 25D Lens	GT-LSP-277		
			HV (347V-480V)			BL (4000K) [80CRI]	50D = 50D Lens	GT-LSP-347		
	2x5498	MH (85W)	SV (120V-277V)			RD (3500K) [80CRI]	75D = 75D Lens	GT-LSP-480		
			HV (347V-480V)			PR (3000K) [95CRI]	360D = 360D Lens			
	2x5498	ML (75W)	SV (120V-277V)			OR (2700K) [80CRI]	360s = 360 Square Lens			
			HV (347V-480V)				T2 = Type II Lens			
							T3 = Type III Lens			

Please see previous page for accessory information
Please note, prices may change with quantity

Fully Compliant with ARRA Buy American Requirements. Made in the USA.